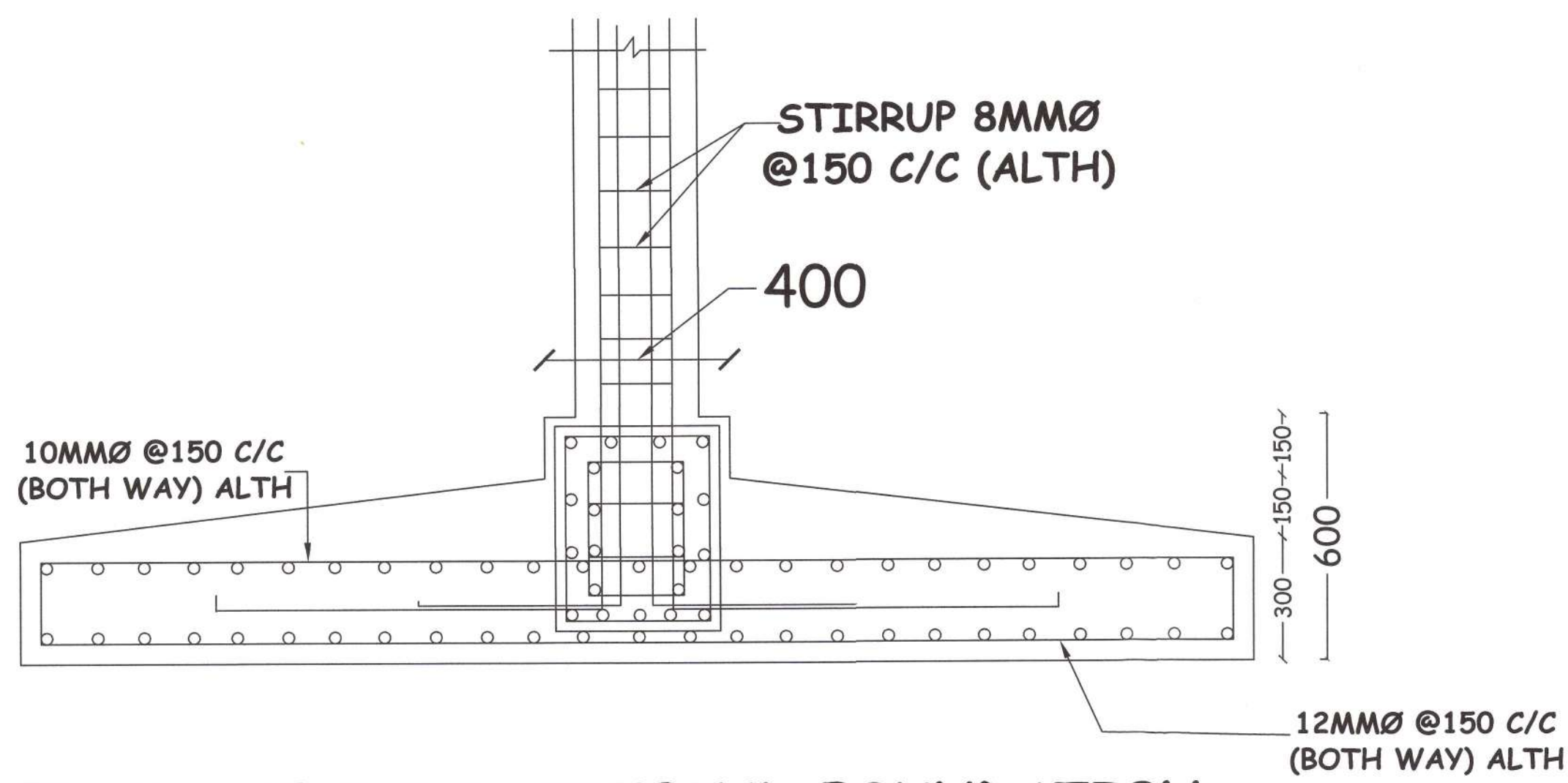
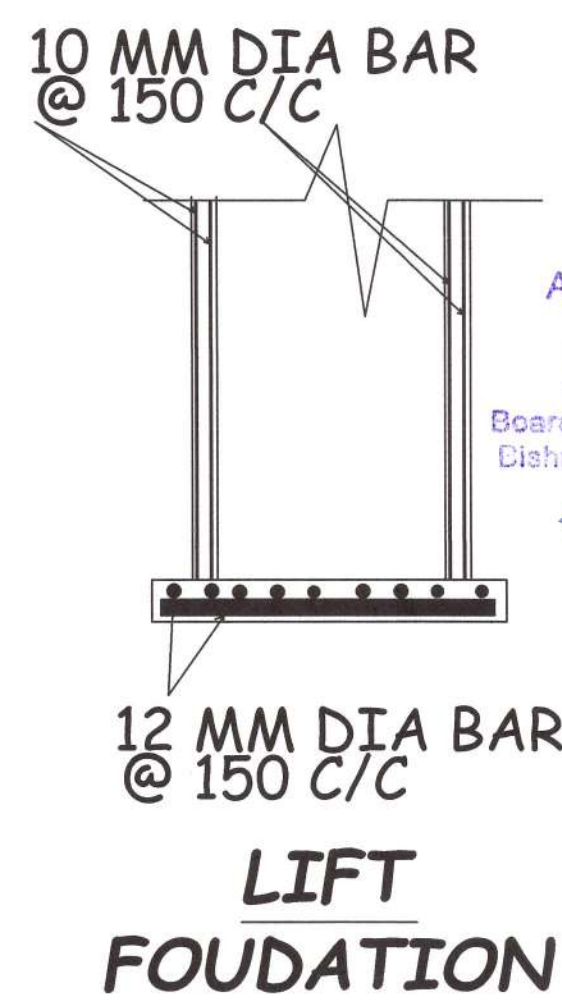


## STRUCTURAL PART OF BLOCK A & B



**DETAILS OF R.C.C. COMBIND FOUNDATION WITH SECTIONAL ELEVATION OF R.C.C. BEAM**



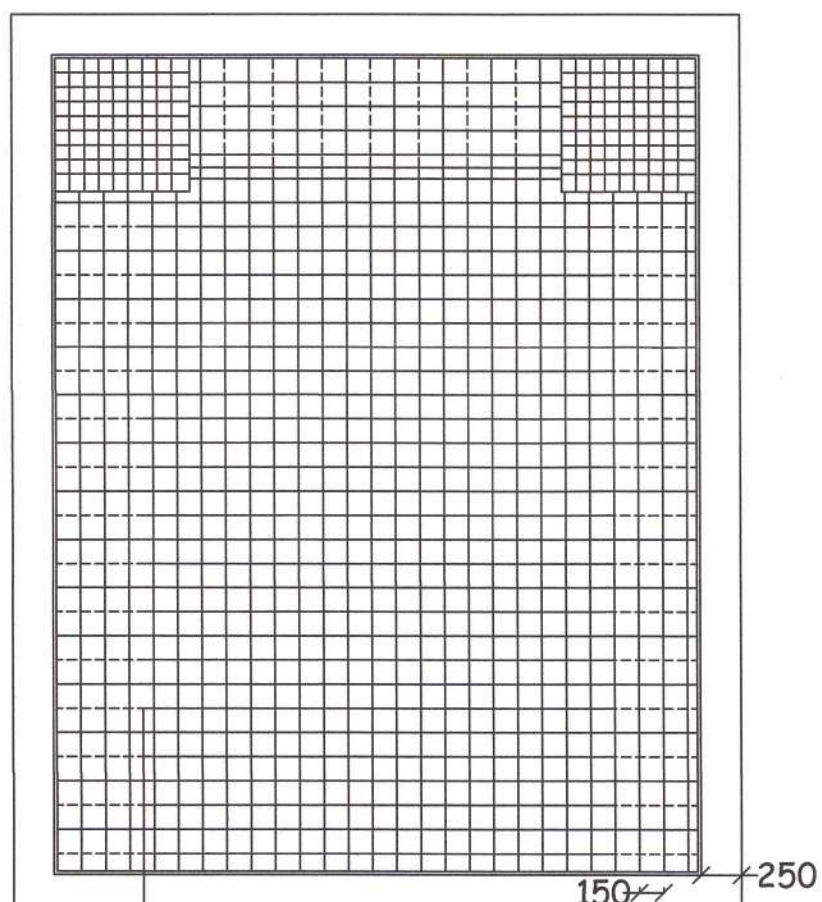
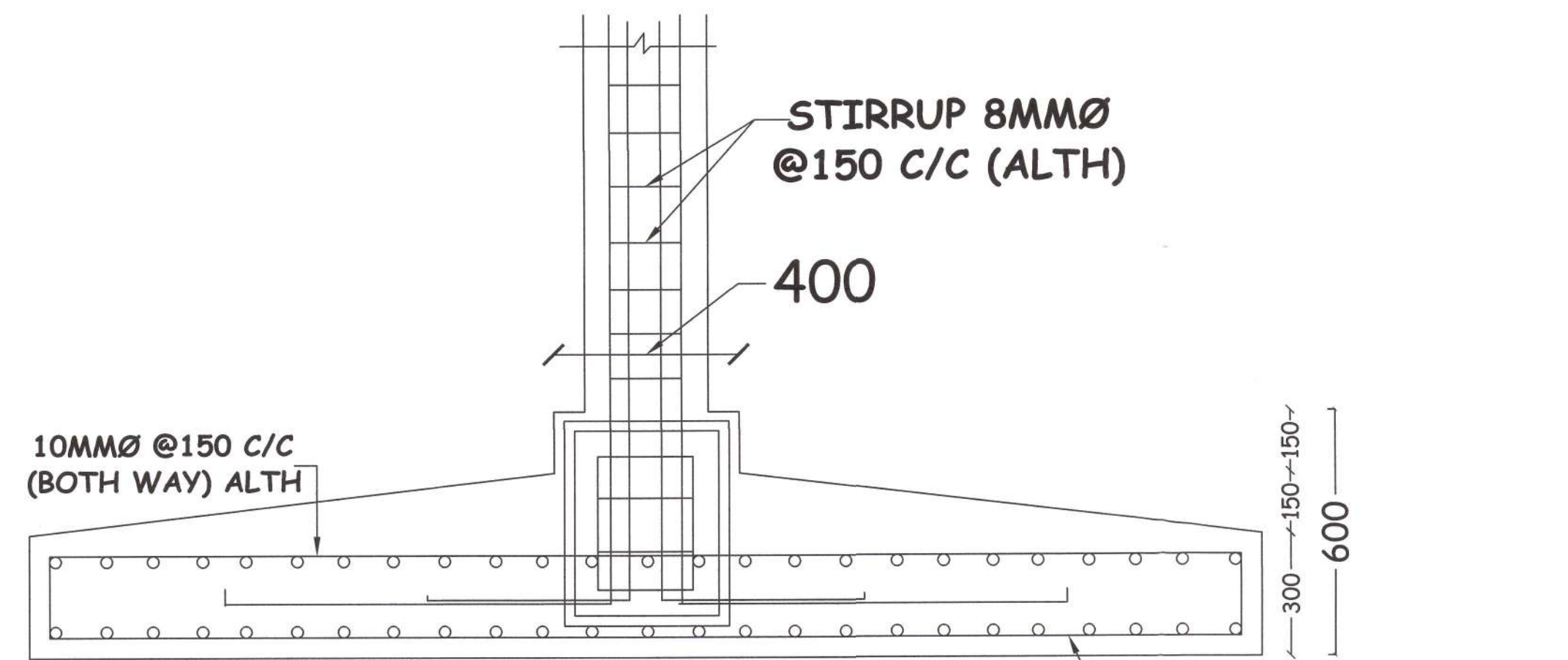
**LIFT FOUNDATION**

COLUMN MARKED	SIZE & REINFORCEMENT.					STIRRUPS
	GR. FL.	1ST. FL.	2ND. FL.	3RD. FL.	4TH. FL.	
C3	375 X 300 4-20 Ø TOR. 4-16 Ø TOR.	375 X 300 4-20 Ø TOR. 4-16 Ø TOR.	375 X 300 4-20 Ø TOR. 4-16 Ø TOR.	375 X 300 4-20 Ø TOR. 4-16 Ø TOR.	375 X 300 4-20 Ø TOR. 4-16 Ø TOR.	8 Ø TOR. 4 LEG. @ 150 C/C.
C2	450 X 300 6-20 Ø TOR. 6-16 Ø TOR.	450 X 300 6-20 Ø TOR. 6-16 Ø TOR.	450 X 300 6-20 Ø TOR. 6-16 Ø TOR.	450 X 300 6-20 Ø TOR. 6-16 Ø TOR.	450 X 300 6-20 Ø TOR. 6-16 Ø TOR.	8 Ø TOR. 2 LEG. @ 150 C/C.
C1	600 X 300 8-20 Ø TOR. 8-16 Ø TOR.	600 X 300 8-20 Ø TOR. 8-16 Ø TOR.	600 X 300 8-20 Ø TOR. 8-16 Ø TOR.	600 X 300 8-20 Ø TOR. 8-16 Ø TOR.	600 X 300 8-20 Ø TOR. 8-16 Ø TOR.	8 Ø TOR. 2 LEG. @ 150 C/C.

### GENERAL NOTES

1. All dimensions are in mm.
2. All outer wall 200th. & partition wall 125th and 75th.
3. Grade of concrete M-20
4. Grade of steel Fe-550
5. All sorts precautionary measures should be taken during cons. work.
6. Do not scale flow written dimensions only.
7. Clear cover of reinforcement...
  - a) For foundation 50 mm. P.beam 35 mm
  - b) For column 40 mm
  - c) For floor beam 25 mm
  - d) Slab i) Top & bottom 20 mm  
ii) End 25 mm

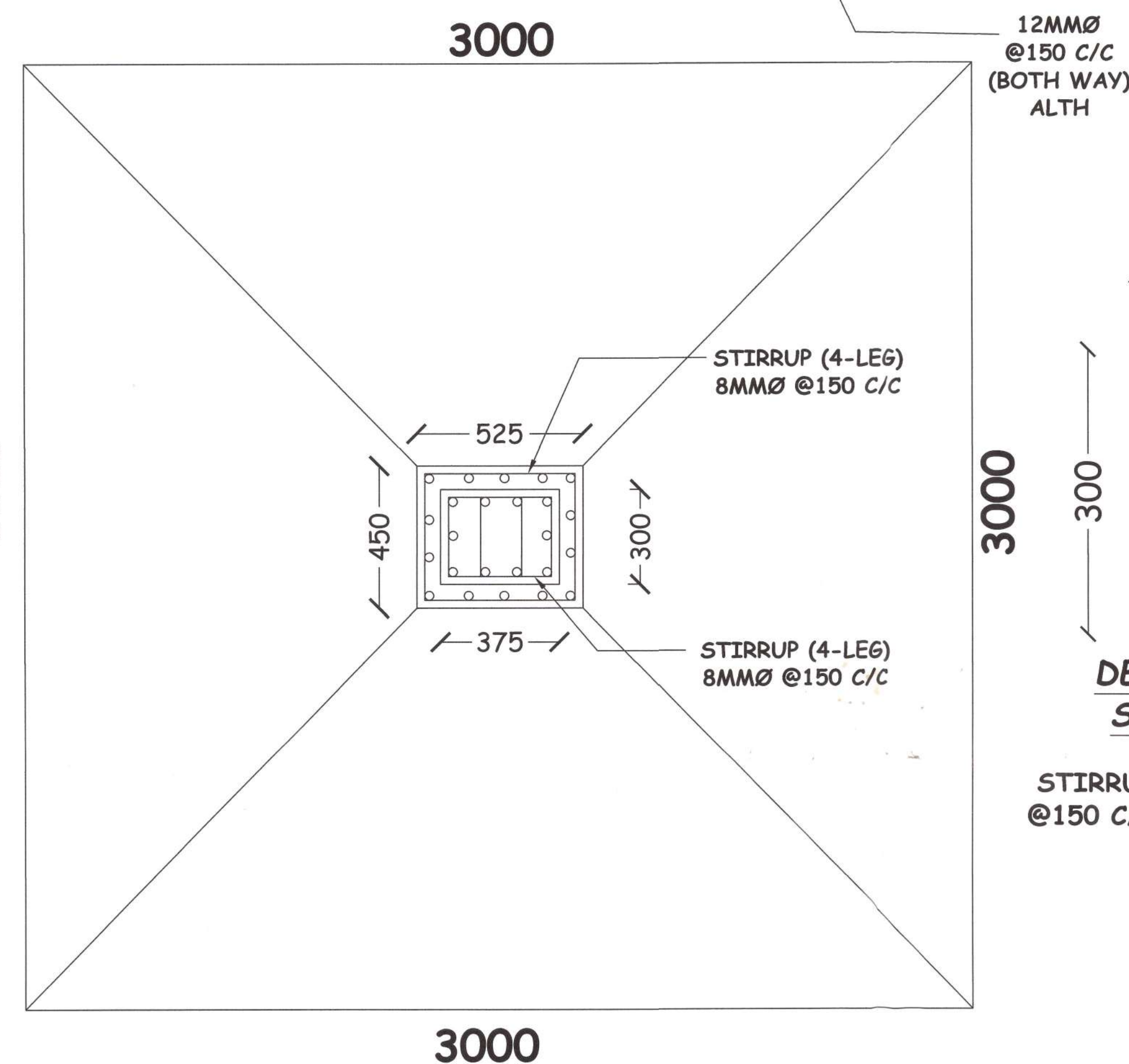
The structural designer is responsible for the design only the construction. Supervision falls out side the preview of designer.



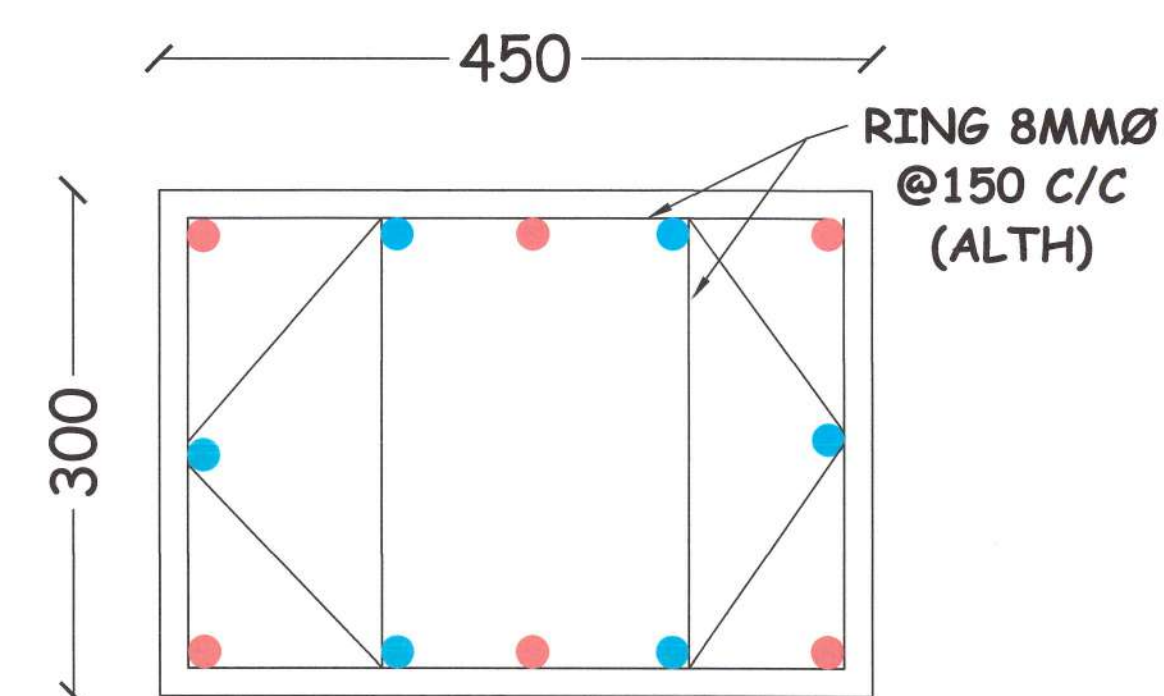
**SLAB DETAILS (SCALE - 1:100)**

FOUNDATION MKD.	SLAB			SLAB REINF.	BEAM			STIRRUP
	LENGTH	BREADTH (B)	DEPTH (D)		BEAM MKD.	BEAM WIDTH	BEAM DEPTH	
F2	3000	3000	300	12 ̸ @ 150 C/C	FB2	400	600	2 NOS. 16 ̸ (ALTH.) 3 NOS. 20 ̸ (ALTH.)
F3	SHOWN IN DWG		300	12 ̸ @ 150 C/C				2 NOS. 16 ̸ (ALTH.) 3 NOS. 20 ̸ (ALTH.)
F4	SHOWN IN DWG		300	12 ̸ @ 150 C/C				4 NOS. 16 ̸ (ALTH.) 2 NOS. 16 ̸ (EXT.)

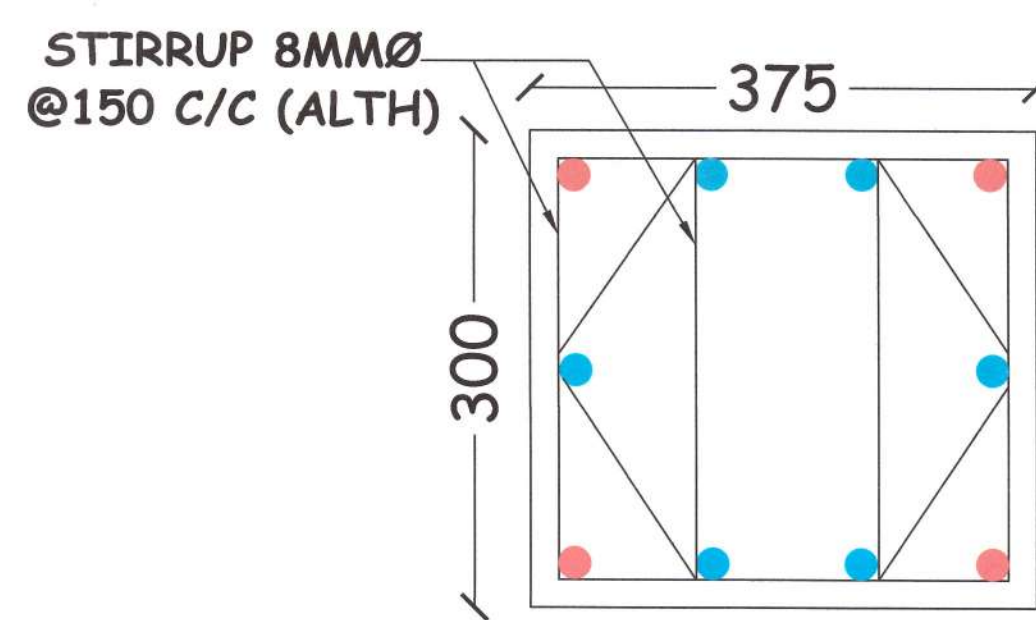
FOUNDATION MKD.	ISOLATED FOUNDATION SCHEDULE			
	LENGTH (L)	BREADTH (B)	DEPTH (D)	SLAB REINF.
F1	3000	3000	300	12 ̸ @ 150 C/C



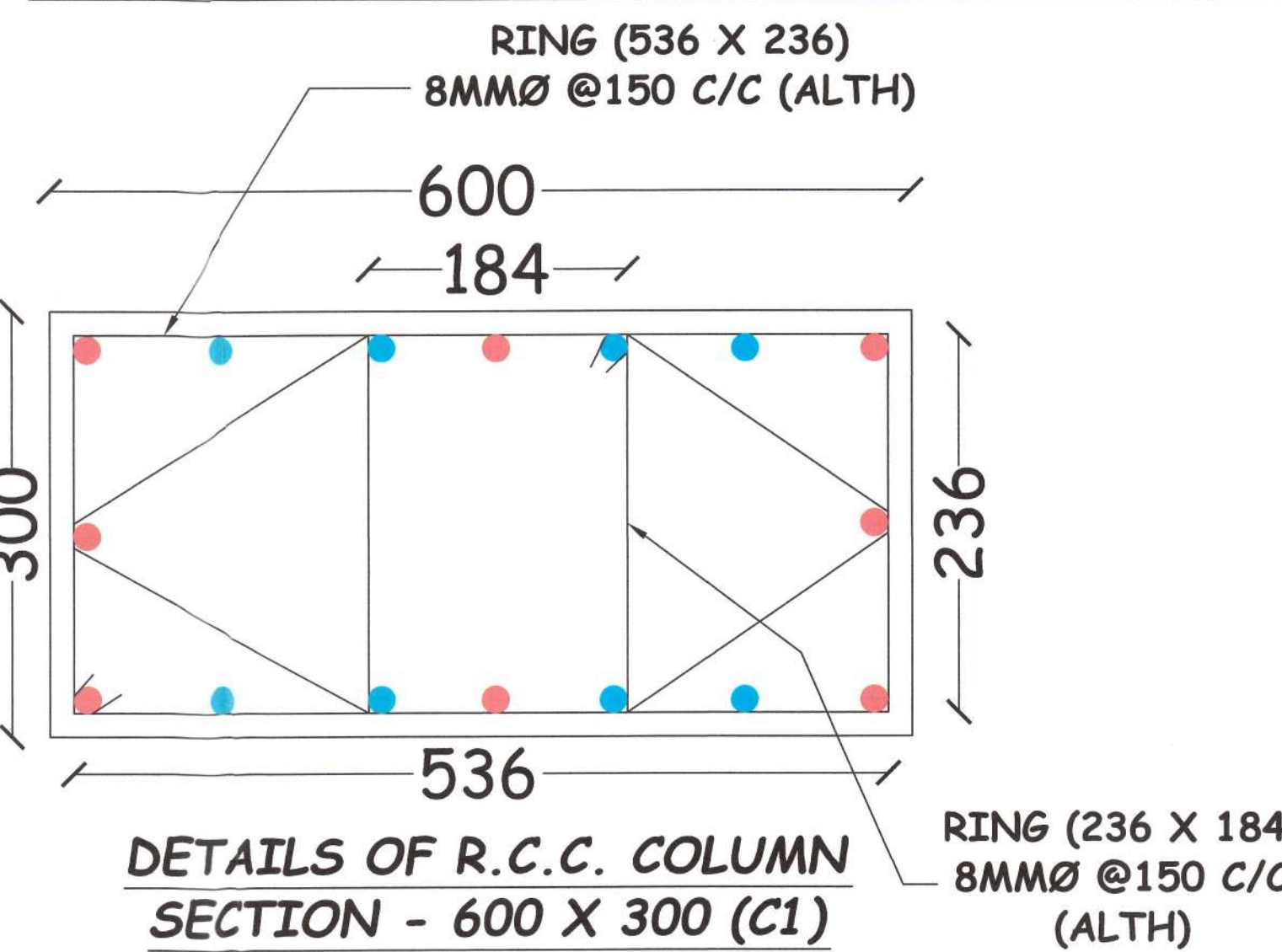
**DETAILS OF R.C.C. ISOLATED FOUNDATION WITH SECTIONAL PLAN OF R.C.C. COLUMN**



**DETAILS OF R.C.C. COLUMN SECTION - 450 X 300 (C2)**



**DETAILS OF R.C.C. COLUMN SECTION - 375 X 300 (C3)**

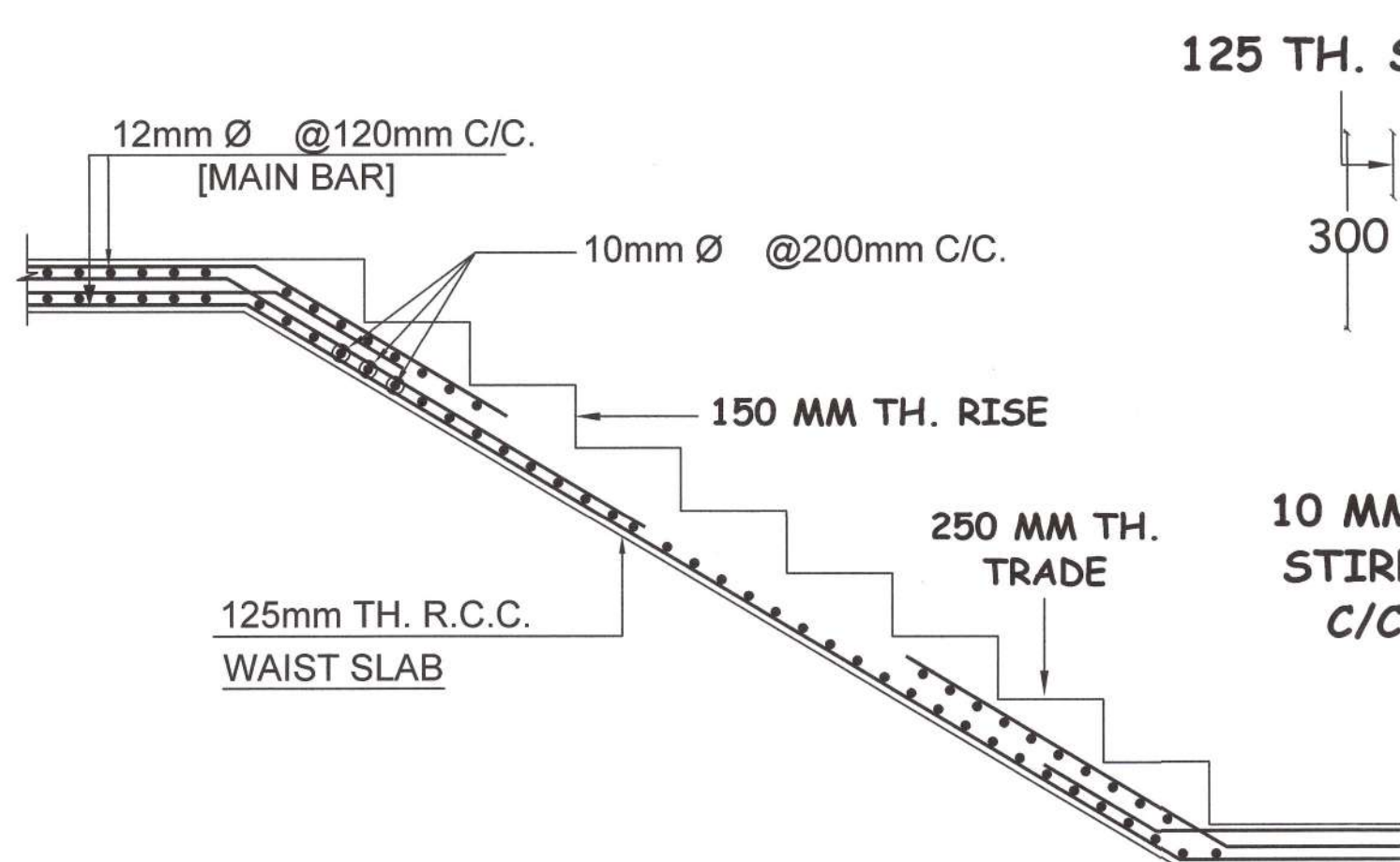


**DETAILS OF R.C.C. COLUMN SECTION - 600 X 300 (C1)**

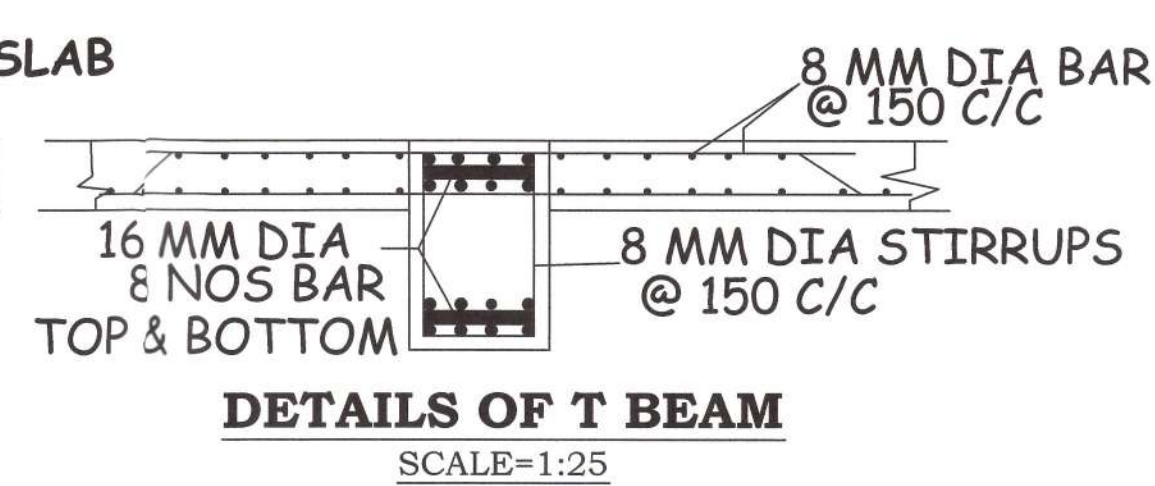
- 20 MM Ø (ALTH.)
- 16 MM Ø (ALTH.)

BEAM MKD.	SIZE	REINFORCEMENT				STIRRUPS
		SUPPORT SPAN		MID SPAN		
		TOP	BOTTOM	TOP	BOTTOM	
B1	250x400	2-20 ̸ 3-16 ̸	3-16 ̸	3-16 ̸	2-20 ̸ 3-16 ̸	8MM Ø @ 150C/C
B2	250x400	2-16 ̸ 3-20 ̸	3-16 ̸	3-16 ̸	2-16 ̸ 3-20 ̸	8MM Ø @ 150C/C
B3	250x400	2-16 ̸ 2-12 ̸	2-16 ̸	2-16 ̸	2-16 ̸ 2-12 ̸	8MM Ø @ 150C/C

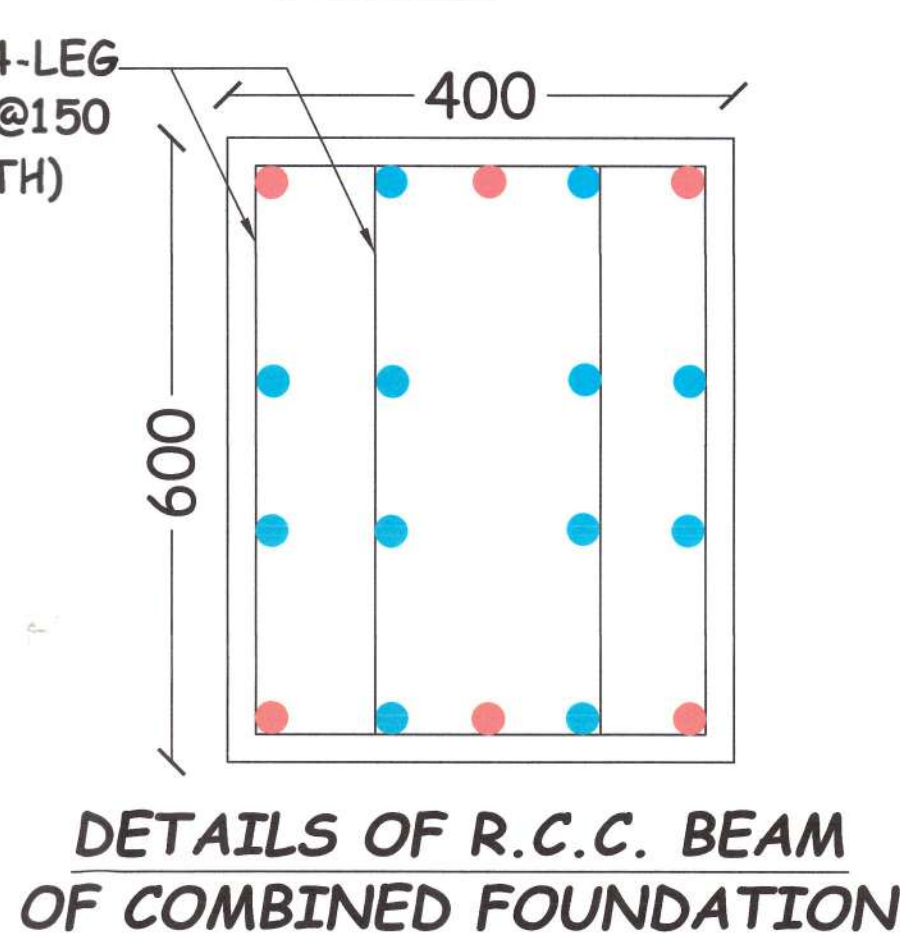
SLAB MKD.	THK	REINFORCEMENT		REMARK
		SUPPORT SPAN	LONG SPAN	
		RS1	125 M.M.	
RS2	125 M.M.	8MM Ø @ 125 C/C	8MM Ø @ 150 C/C	EXTRA TOP SAME.
RS3	125 M.M.	8MM Ø @ 130 C/C	8MM Ø @ 150 C/C	EXTRA TOP SAME.



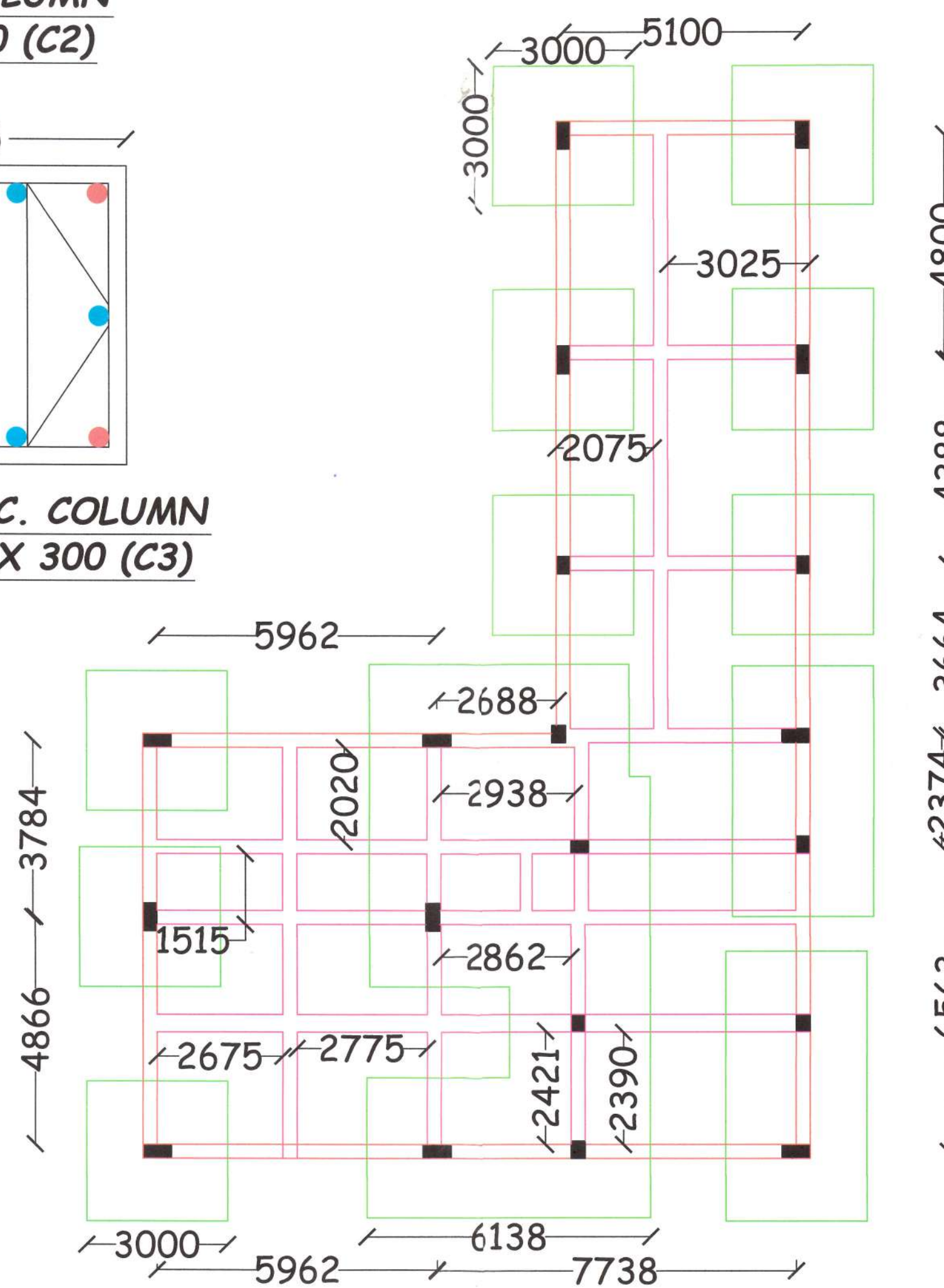
**DETAILS OF STAIR SCALE=1:25**



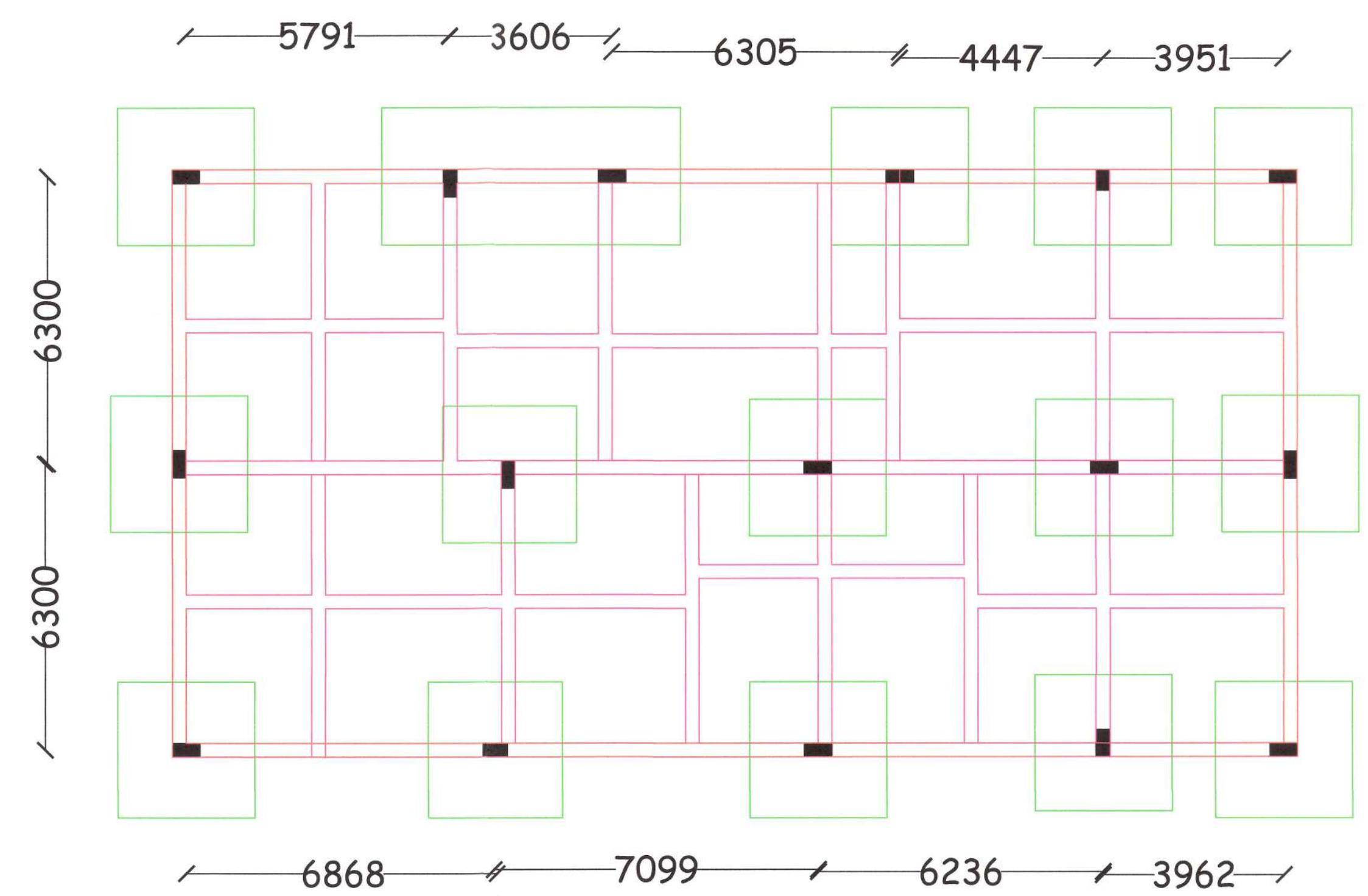
**DETAILS OF T BEAM SCALE=1:25**



**DETAILS OF R.C.C. BEAM OF COMBINED FOUNDATION**



**LAYOUT PLAN FOR DETAILS OF COLUMN FOUNDATION TRENCH (ISOLATED & COMBIND FOOTING) INCLUDING SHOWING TIE BEAM OF BLOCK A**



**LAYOUT PLAN FOR DETAILS OF COLUMN FOUNDATION TRENCH (ISOLATED & COMBIND FOOTING) INCLUDING SHOWING TIE BEAM OF BLOCK B**

**PROPOSED CONSTRUCTION OF G+4 FLOOR RESIDENTIAL BUILDING OF SRI UTTAM KUMAR PATHAK, S/O LT. SASIBHUSAN PATHAK, & SUNANDA PATHAK, W/O SRI. UTTAM KUMAR PATHAK, AT - COLLEGE ROAD, WARD NO - 15; PLOT NO - 14003/15994 (R.S.), 9040 (L.R.); PLOT AREA - 987.43 SQ.M.; BISHNUPUR MUNICIPALITY MOUZA, J.L. NO- 101, SHEET NO - 05, UNDER BISHNUPUR MUNICIPALITY, BISHNUPUR, BANKURA.**

**DRAWN BY :-**

*Amit Mohanta*  
Amit Mohanta  
Civil Engineer  
Registration No.-020117  
Bishnupur Municipality  
Bishnupur, Bankura

**SIGN. OF OWNER :-**

✓ Uttam Kumar Pathak  
✓ Sunanda Pathak.